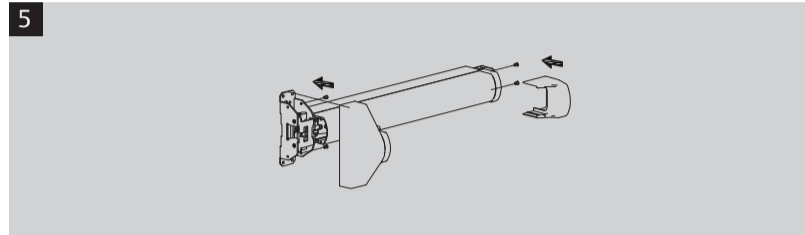
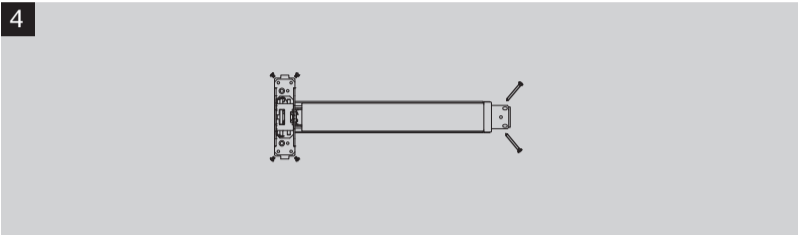
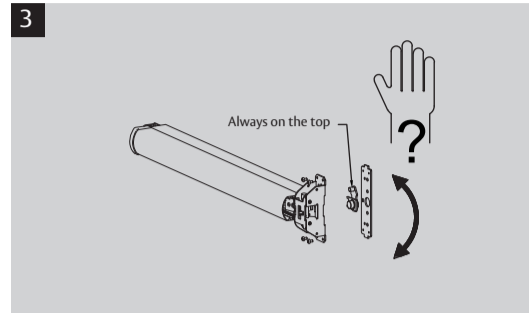
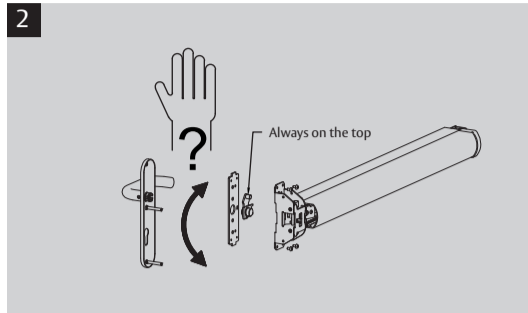
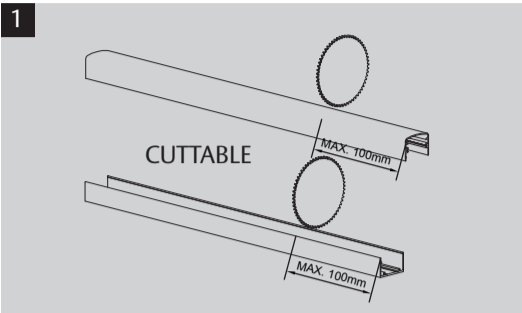
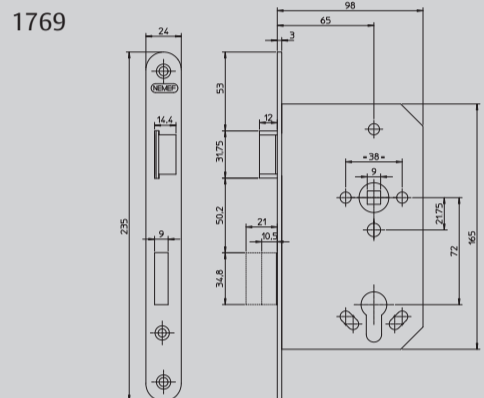
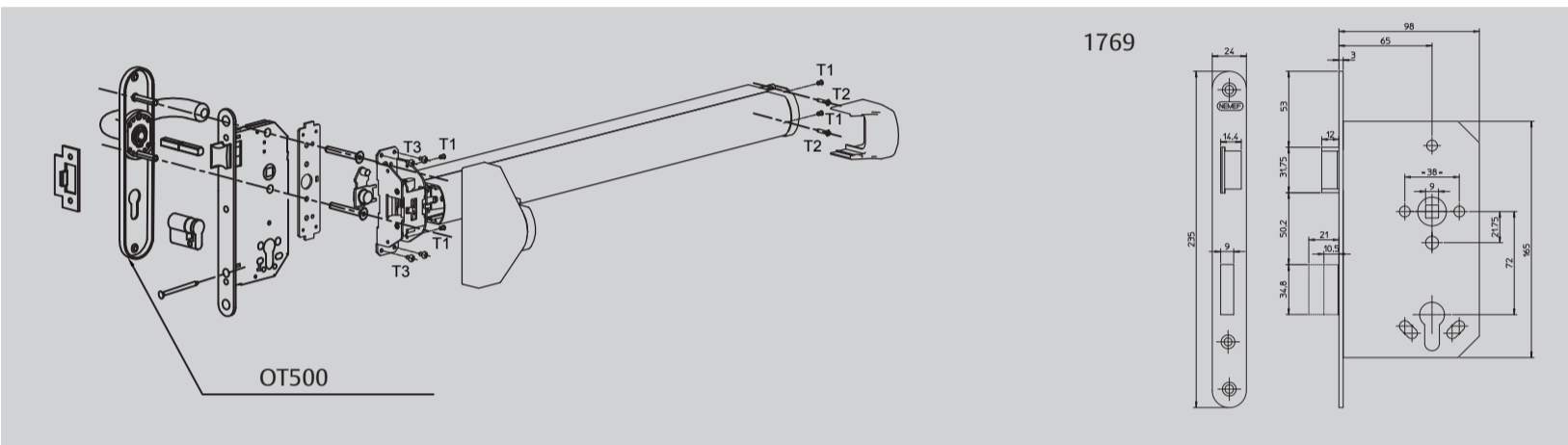
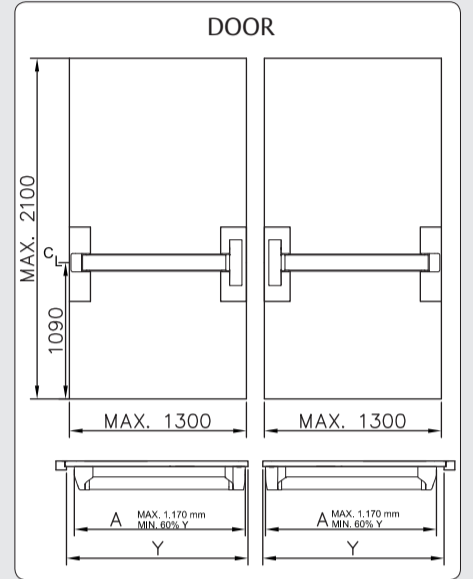


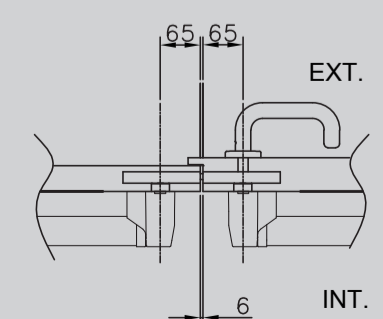
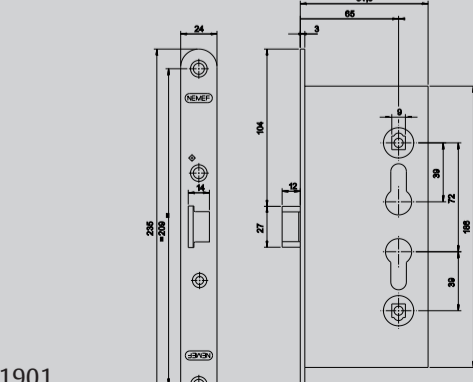
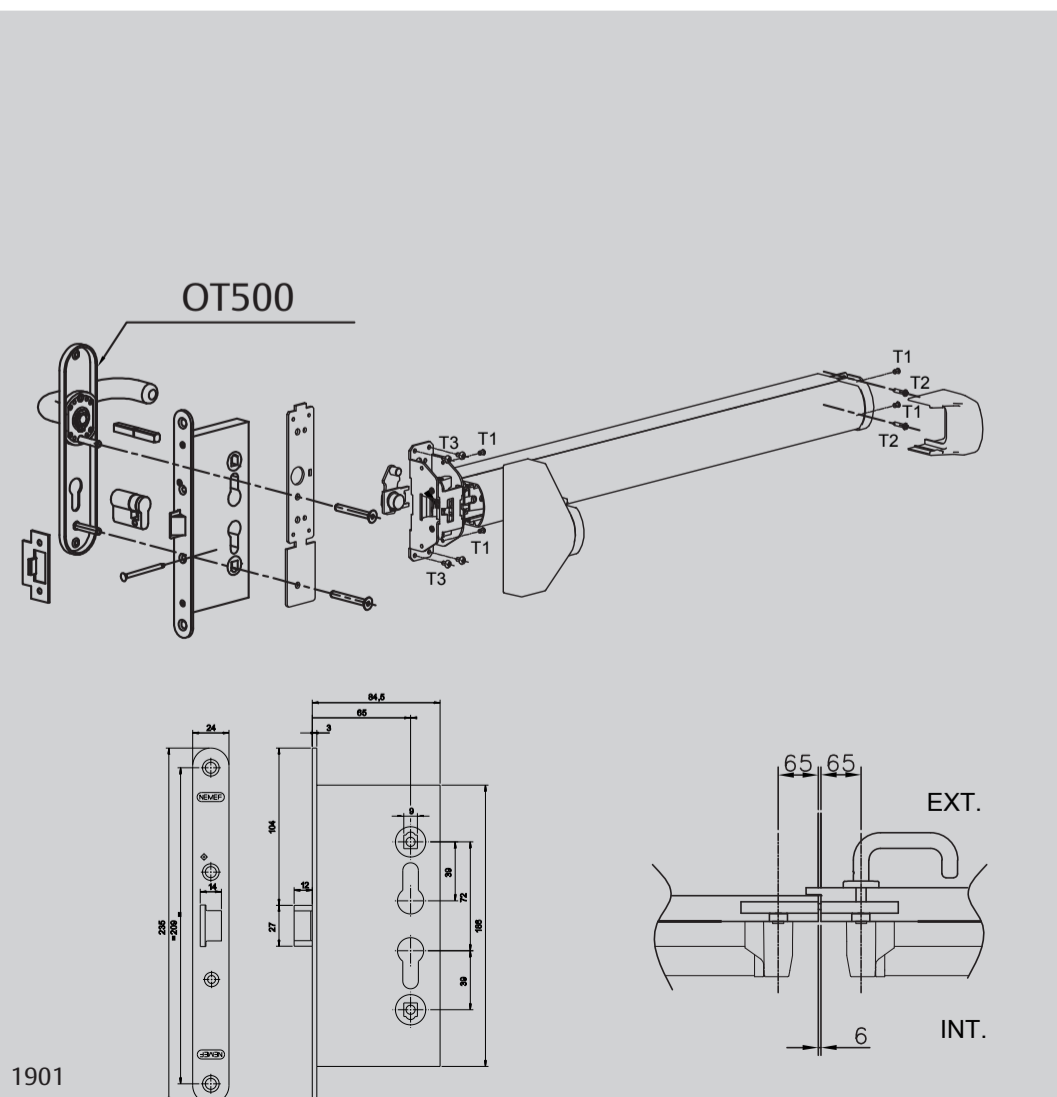
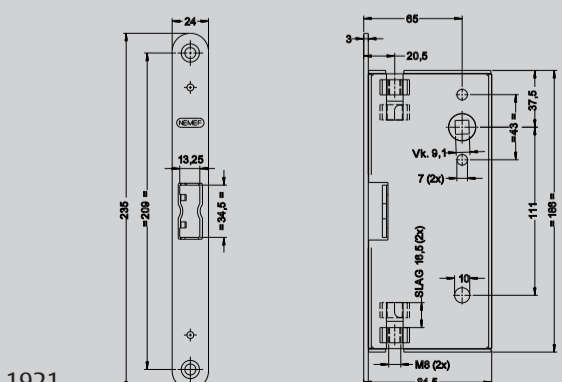
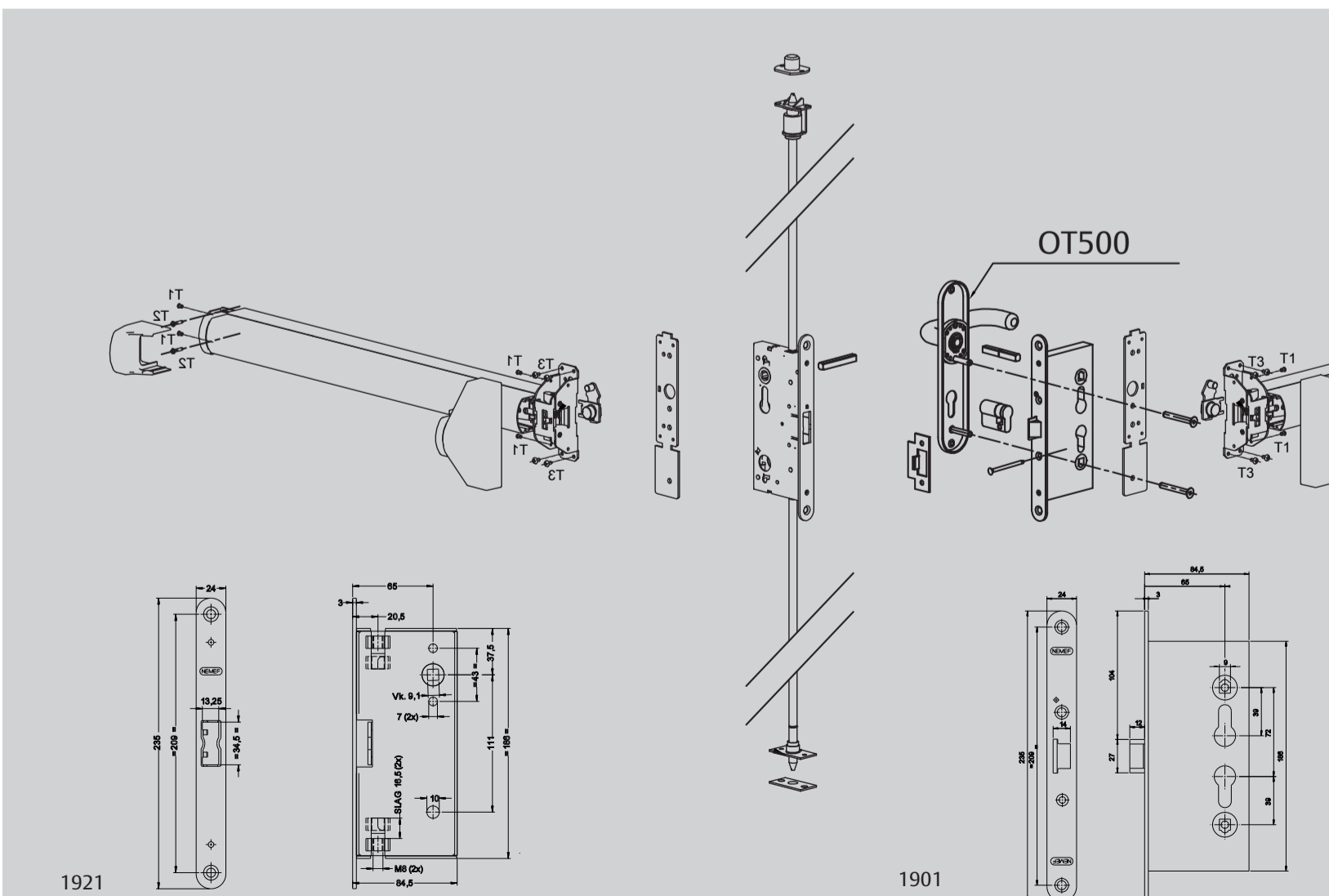
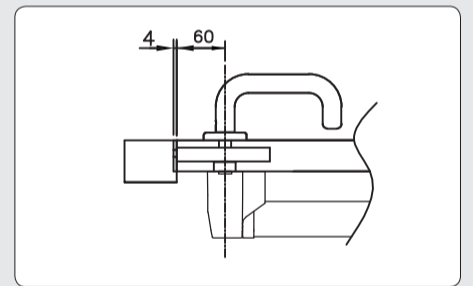
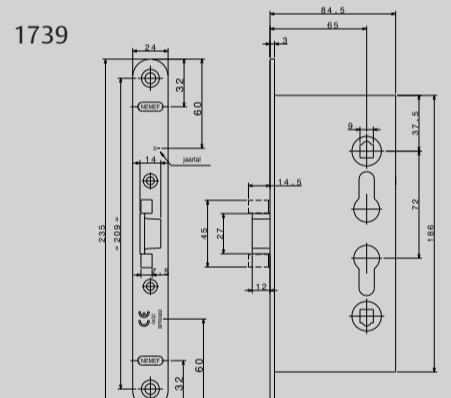
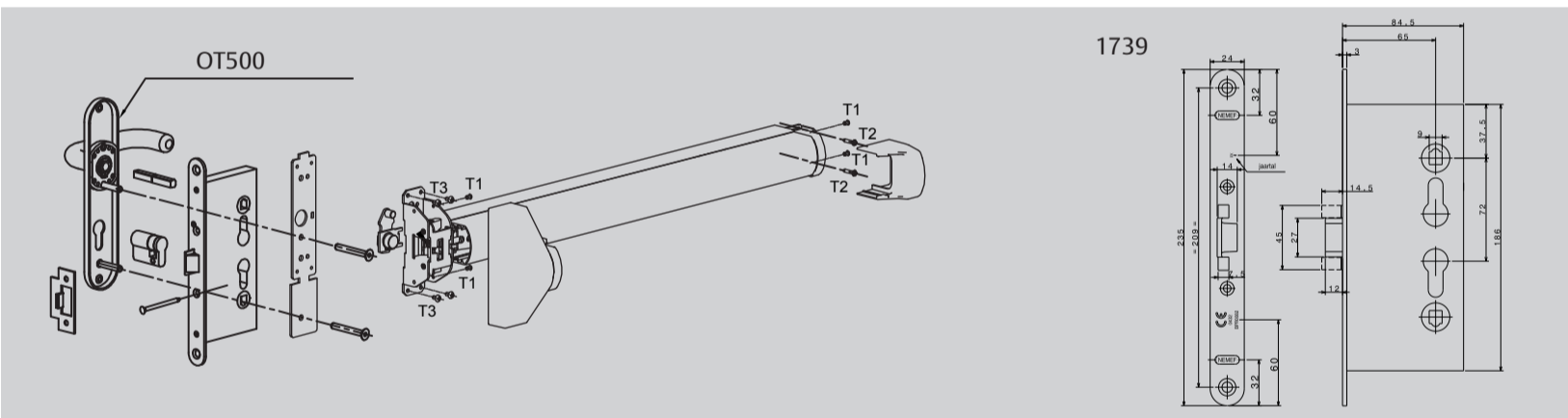
Instalation Instruction



CE	ASSA ABLOY EAST EUROPE Dolnoměcholupská 1418/12 102 00 Praha 10 Czech Republic	13
	1488-CPD-0402/W	3 6 5 B 1 3 2 2 B A
UNE-EN 1125: 2009		



	Standard	PCS
	T1 M4 x 6.5	4
	T2	4
	T3 M4 x 5	4



1921

1901